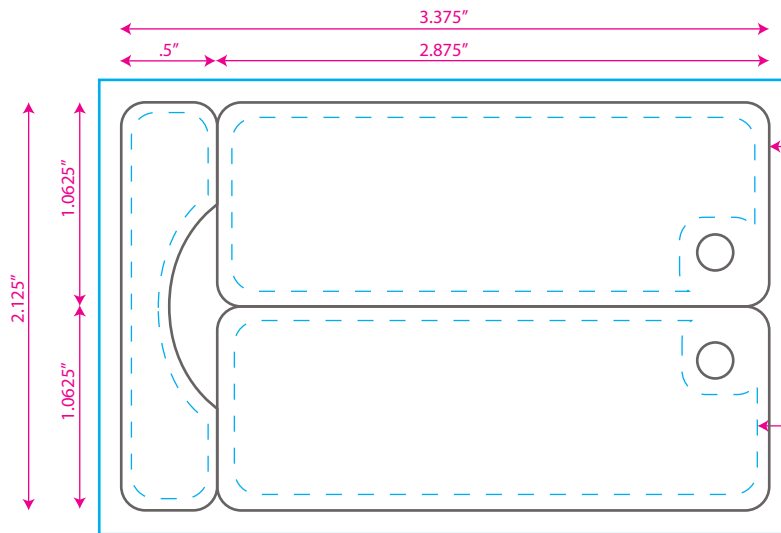


## IMPORTANT INFORMATION BEFORE YOU SEND YOUR ARTWORK TO TELE-PAK:

1. PLEASE KEEP YOUR ARTWORK IN LAYERS, DO NOT FLATTEN IT.
2. PLEASE OUTLINE ALL FONTS/TYPE IN ILLUSTRATOR (OR RASTERIZE THEM IN PHOTOSHOP).
3. IF USING ANY OTHER PROGRAM, PLEASE INCLUDE THE FONT FILES WHEN SENDING IN THE ARTWORK.



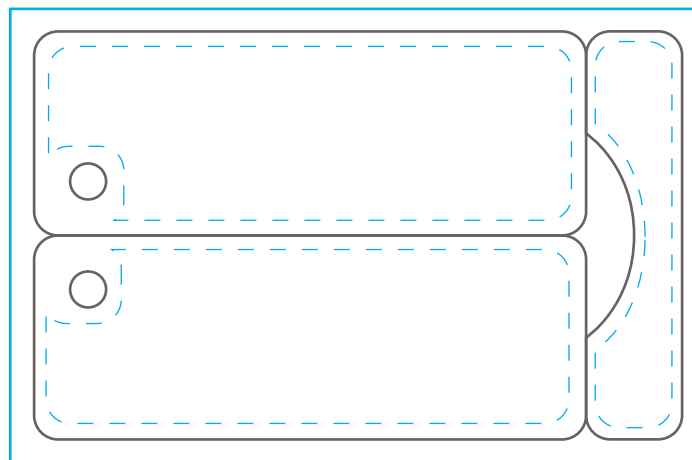
FRONT

### IMPORTANT!

If your color or image touches this edge, then you must extend it to the blue line. This applies to all four edges, on both the front and the back.

### IMPORTANT!

This is a safety area. Please do not let type or anything important go beyond the dotted lines - it runs the risk of being cut off in the diecutting process.



BACK